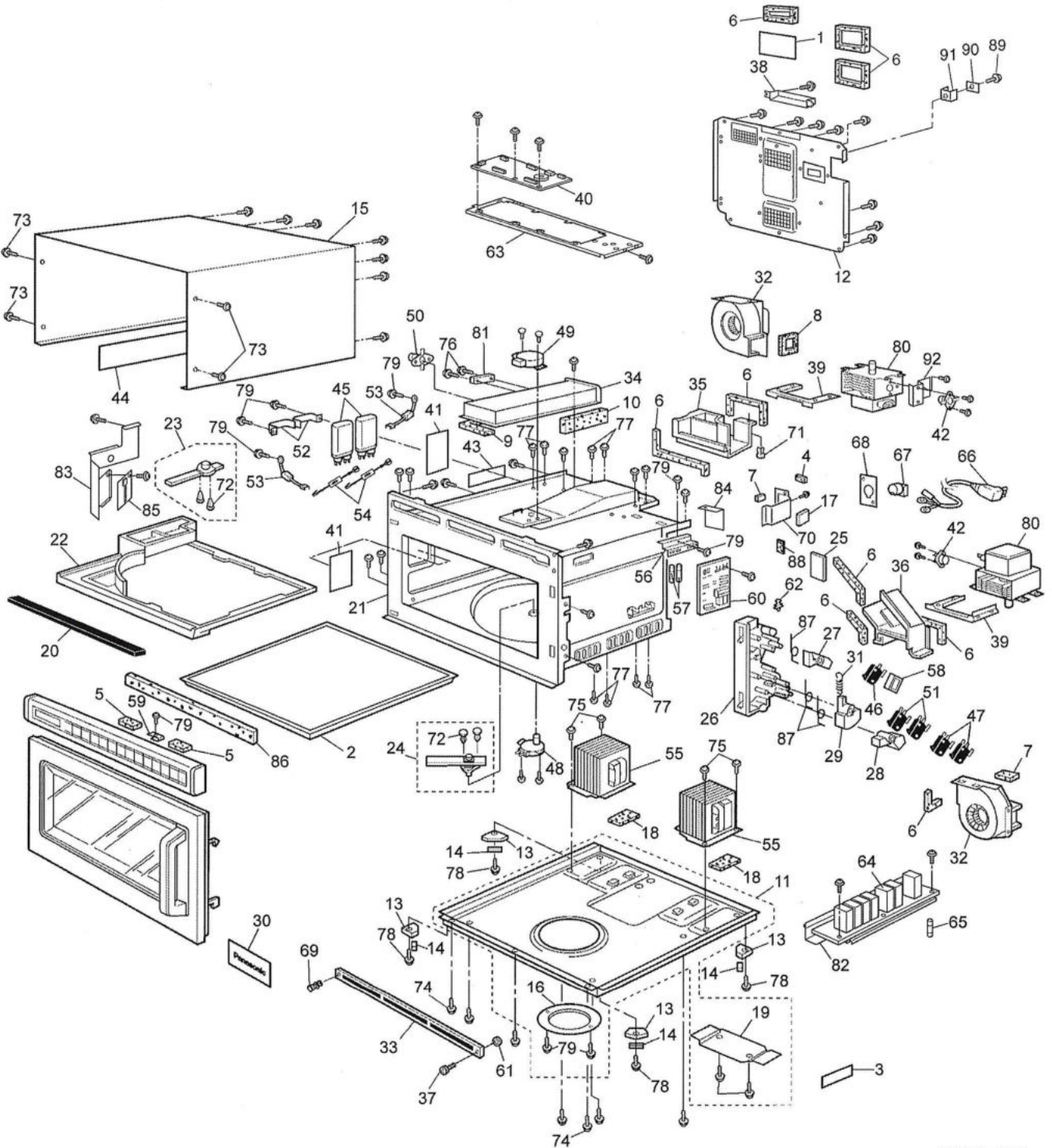


11 Exploded View and Replacement Parts List

11.1. Exploded view and parts list

NE-2153-2EUG, NE-2143-2EUG



(S-3E8-APH)

PARTS LIST

NOTE 1: When ordering replacement part(s), please use part number(s) shown in this parts list.
Do not use description of the part.

2: Important safety notice:

Components identified by \triangle mark have special characteristics important for safety.

When replacing any of these components, use only manufacturer's specified parts.

3: Alphabet marks in Remarks columns (i.e. HNE etc) indicate parts applicable to only specified country models as follows.

EUG : Continental Europe Countries

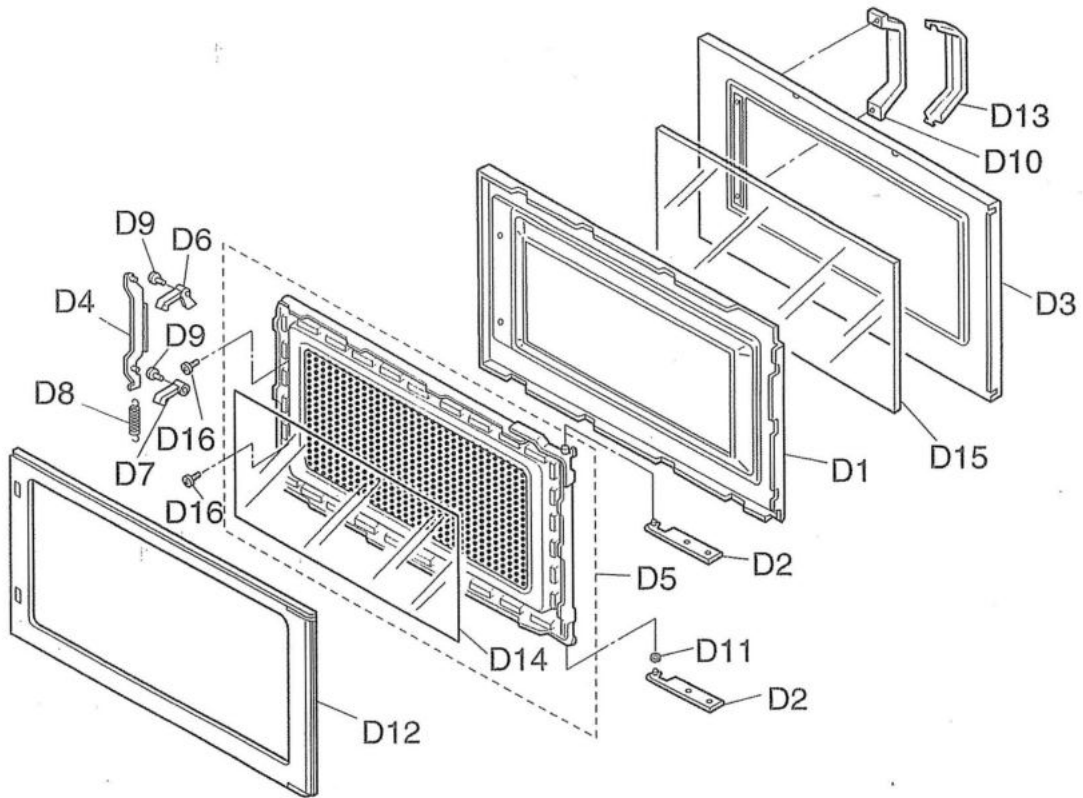
Parts without these marks can be used for all models.

NE-2153-2EUG,NE2143-2EUG

Ref. No.	Safety	Part No.	Part Name & Description	Pcs/set	Remarks
1		ANE00062Q0EP	LABEL	1	
2		ANE010T8U0AP	SHELF	1	
3	\triangle	A05243G10EU	NAME PLATE	1	NE-2153-2EUG
3	\triangle	A05243G20EU	NAME PLATE	1	NE-2143-2EUG
4		ANE0901000CD	CUSHION RUBBER A	1	
5		ANE000Z000AD	CUSHION RUBBER C	5	
6		ANE000Z000AA	CUSHION RUBBER C	10	
7		ANE000Z000AD	CUSHION RUBBER C	4	
8		ANE000Z000AB	CUSHION RUBBER C	1	
9		ANE0962000AV	CUSHION RUBBER D	1	
10		ANE0962000AP	CUSHION RUBBER D	1	
11		A100A-3290	BASE	1	W/FOOT,RUBBER FOOT (NOTE 4)
12		A100Q3F90EU	BACK PANEL	1	
13		A1007-3280	FOOT	4	
14		A1008-3280	RUBBER FOOT	4	
15		A10093E80AP	CABINET BODY	1	
16		ANE10288U0AP	ANTENNA MOTOR COVER	1	
17		ANE10498U0AP	CUSHION RUBBER	1	
18		A10623E80AP	CUSHION RUBBER B	2	HVT
19		ANE11668U0AP	BASE METAL	1	
20		ANE11748U0AP	SPACER	1	
21	\triangle	A200A3G10EU	OVEN U	1	
22	\triangle	A2011-3280S	CEILING PLATE	1	
23		A202K-3850	ANTENNA UPPER (U)	1	
24		A202V3310GP	ANTENNA LOWER (U)	1	
25		ANE21208U0AP	SPACER	1	
26	\triangle	A3020-3850	DOOR HOOK	1	
27	\triangle	A3136-3470	HOOK SPACER A	1	
28	\triangle	A3138-3470	HOOK SPACER C	1	
29	\triangle	A3137-3850	HOOK SPACER B	1	
30		A31863G10EU	DOOR PANEL	1	NE-2153-2EUG
30		A31863G20EU	DOOR PANEL	1	NE-2143-2EUG
31		ANE32398U0AP	SPRING	1	
32		A400A3F90EU	FAN MOTOR	2	
33		A400B-3280	AIR FILTER FRAME	1	
34		A400K-3180	EXHAUST GUIDE	1	
35		ANE40258U0AP	AIR GUIDE A	1	UPPER
36		ANE40268U0AP	AIR GUIDE B	1	LOWER
37		A4091-3280	SCREW	1	FOR AIR FILTER FLAME
38		A41073980AP	EXHAUST GUIDE B	1	
39		ANE50328U0AP	MAGNETRON BRACKET	2	
40	\triangle	A603L3G10EU	D.P.CIRCUIT (U)	1	NE-2153-2EUG
40	\triangle	A603L3G20EU	D.P.CIRCUIT (U)	1	NE-2143-2EUG
41		ANE60408U0AP	OVEN LAMP SHEET	2	
42	\triangle	A61454210AP	THERMAL CUTOUT	2	FOR MAGNETRON
43		ANE60708U0BP	INSULATION SHEET A	1	
44		A60713310BP	INSULATION SHEET B	1	
45	\triangle	A63903A80BPS	H.V.CAPACITOR	2	1.14uF
46	\triangle	ANE61424L0AG	MICRO SWITCH	1	(V-16G-3C26) PRIMARY LATCH SWITCH
47	\triangle	ANE6142-F60	MICRO SWITCH	2	(V-15G-3C26) SECONDARY LATCH SWITCH
48		A6144-3E20	ANTENNA MOTOR	1	(3W) LOWER
49		A6144-3E10	ANTENNA MOTOR	1	(3W) UPPER

Ref. No.	Safety	Part No.	Part Name & Description	Pcs/set	Remarks
50	△	A61454050AP	THERMAL CUTOUT	1	FOR OVEN
51	△	ANE6161-3X0	MICRO SWITCH	2	(V-16G-1C25) SHORT SWITCH
52		ANE61888U0AP	CAPACITOR BRACKET	2	
53	△	A6202-3280	DIODE,SI	2	
54	△	A606V3F00APS	PROTECTOR DIODE	2	
55	△	A622B3G10EU	H.V. TRANSFORMER	2	
56		ANE62298U0AP	MOUNTING BRACKET	1	
57	△	A62303A80BP	FUSE	2	12A
58		A62383230GP	SPACER	1	
59		ANE64086Q0AP	SCREW WASHER	1	NE-2153-2EUG
60		A603Y3G10EU	PCB D (U)	1	
61		A6408-3280	WASHER	1	FOR AIR FILTER FRAME
62		ANE65448U0AP	SPACER A	1	
63		A6585-3B10	P. C. B. HOLDER	1	
64	△	A608B3F90BP	PCB M (U)	1	
65		A65953700BP	FUSE B	1	2.5A
66	△	A900C3340EU	AC CORO W/PLUG	1	
67		ANE9027510RN	CORD BUSHING	1	
68		A90353060GP	CORD BRACKET	1	
69		ANE90828U0AP	CLIP (BLACK)	1	FOR AIR FILTER FRAME
70		ANE91448U0AP	BRACKET	1	
71		ANE91628U0AP	CLIP B	1	FOR AIR GUIDE A
72		ANE900T8VOAP	CLIP	4	FOR ANTENNA (U), ANTENNA B (U)
73		XTC4+10BC	SCREW	4	4X10 (FOR CABINET BODY)
74		XTN4+12QJ	SCREW (BLACK)	2	4X12 (FOR BASE)
75		XTEA5+10BJ	SCREW	4	5x10 (FOR H.V. TRANSFORMER)
76		XTWANE3+8EX	SCREW	2	3X8 (FOR TEMP SENSOR)
77		XYEA5+C16TJ	SCREW	8	5X16 (FOR MAGNETRON)
78		XTW3+8BJ	SCREW	4	3X8 (FOR FOOT)
79		XYD4+EE12FJ	SCREW	11	4X12 (FOR DIODE, CAPACITOR BRACKET, SPACER, MOUNTING BRACKET, EARTH, ANTENNA MOTOR COVER, BASE METAL)
80	△	2M261-MLJ3YF	MAGNETRON	2	
81	△	A601L5150AP	TEMP SENSOR	1	
82	△	A692R3F90BP	RELAY BRACKET U	1	
83	△	A6603-3E10	LAMP BRACKET	1	
84	△	A61713A80BP	INSULATION SHEET D	1	
85	△	A605S3E20P4	PCB H (U)	1	
86		A8251-3180	SPACER	1	
87		ANE32628U0AP	SPRING	3	
88		ANE1062-8U0	CUSHION RUBBER B	1	AIR GUIDE B
89		XYE6+F20FJ	SCREW	1	BACK PANEL COVER
90		XWNAE65GV	WASHER	1	EARTH
91		A66623170GP	BRACKET	1	EARTH
92		A61643030GP	BRACKET	1	MAGNETRON

DOOR ASSEMBLY

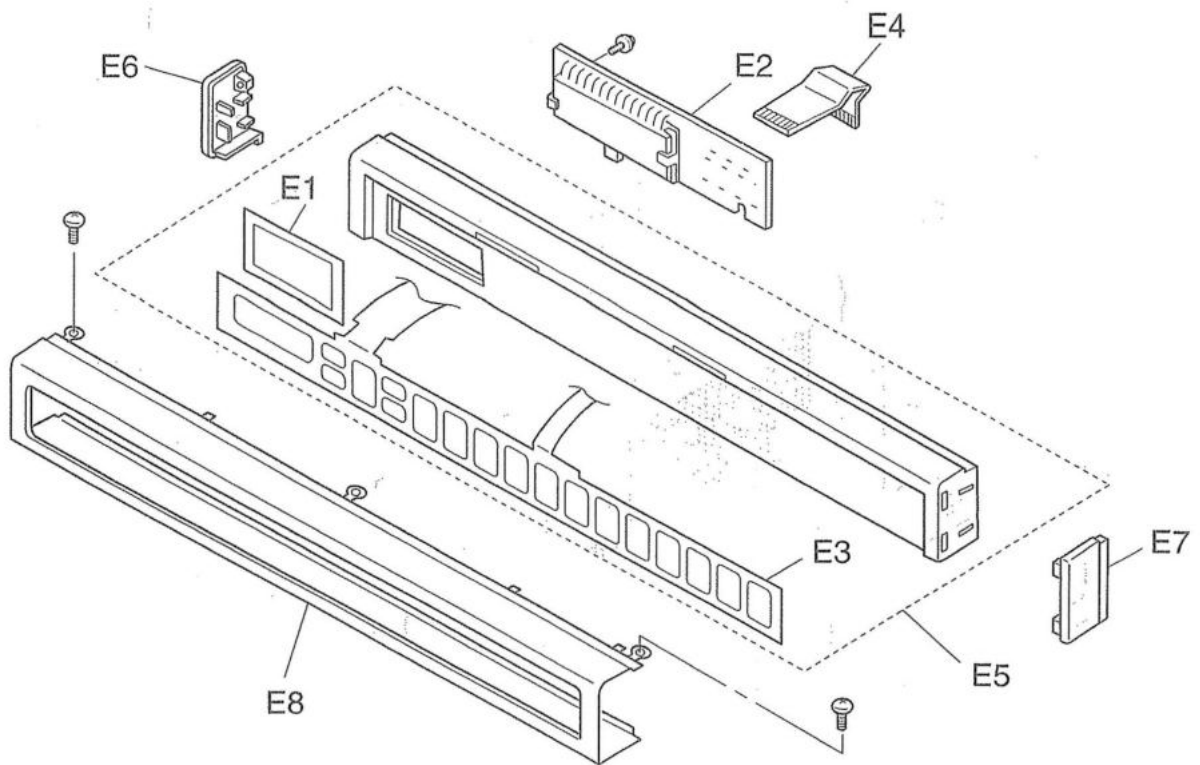


(S-331 QPQ)

Ref. No.	Safety	Part No.	Part Name & Description	Pcs/set	Remarks
D1		ANE30038U0AP	DOOR FRAME (U)	1	
D2	⚠	ANE30078U0AP	HINGE	2	
D3	⚠	ANE301A8U0AP	DOOR A	1	
D4		ANE301H-3850	DOOR KEY LEVER B	1	
D5	⚠	ANE301Q-3500	DOOR E (U)	1	
D6		ANE3018-3850	DOOR KEY	1	
D7		ANE3019-3850	DOOR KEY B	1	
D8		ANE30218U0AP	DOOR KEY SPRING	1	
D9		ANE30562Q0AP	HANDLE PIN	2	
D10		A30703170GP	HANDLE PEICE A	1	
D11		ANE3081P60AP	DOOR HINGE SPACER	1	
D12		ANE30858U0AP	DOOR C	1	
D13		ANE31348U0AP	HANDLE PEICE B	1	
D14	⚠	A3145-3500	DOOR SCREEN A	1	
D15		ANE31468U0AP	DOOR SCREEN B	1	
D16		XYEA4+C16T5J	SCREW	2	4X16

ESCUTCHEON BASE ASSEMBLY

NE-2153-2EUG

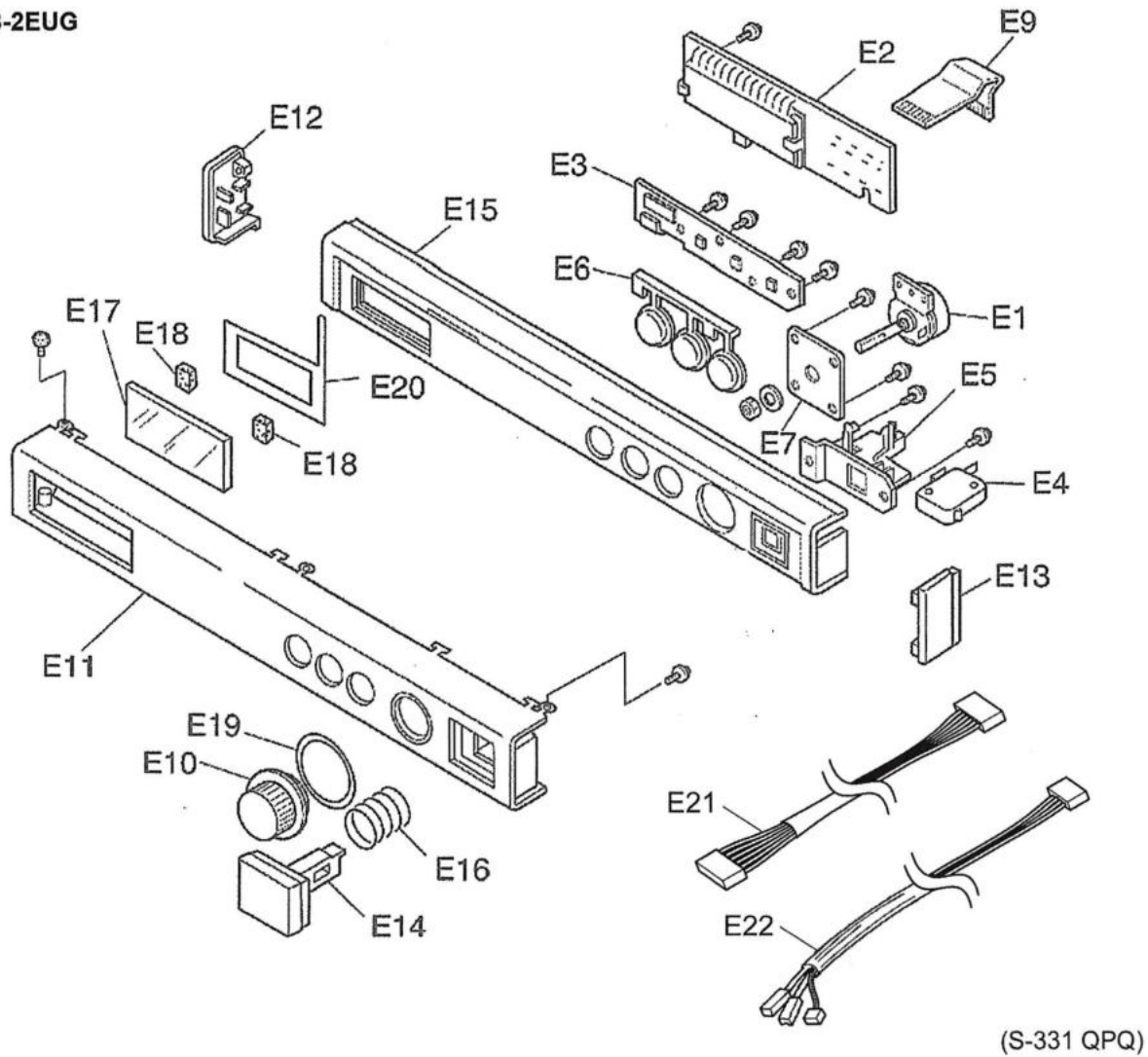


(S-331 QPQ)

NE-2153-2EUG

Ref. No.	Safety	Part No.	Part Name & Description	Pcs/set	Remarks
E1		A8016-3B10	SPACER	1	
E2		A603M-3B10	PC BOARD B (U)	1	
E3		A83373F90EU	ESCUTCHEON SHEET	1	
E4		A6590-3E20	FLAT CABLE	1	
E5		A800L3F90EU	ESCUTCHEON BASE U	1	
E6		A80023E20P3	ESCUTCHEON B	1	
E7		A80063E20P3	ESCUTCHEON D	1	
E8		ANE801N8U0AP	ESCUTCHEON A (U)	1	

NE-2143-2EUG



(S-331 QPQ)

NE-2143-2EUG

Ref. No.	Safety	Part No.	Part Name & Description	Pcs/set	Remarks
E1		A608C3G00BP	TIMER	1	
E2		A603M-3B10	PC BOARD B (U)	1	
E3		ANE605Q8Y0BP	PC BOARD F (U)	1	
E4		ANE61424L0AG	MICRO SWITCH	1	
E5		ANE61628Y0BP	START SWITCH BRACKET	1	
E6		ANE62648Y0BP	SELECT SWITCH BUTTON	1	
E7		A63433G00EU	TIMER BRACKET A	1	
E9		A6590-3E20	FLAT CABLE	1	
E10		A800D3G00EU	TIMER KNOB	1	
E11		ANE80018Y0BP	ESCUTCHEON A (U)	1	
E12		A80023E20P3	ESCUTCHEON B	1	
E13		A80063E20P3	ESCUTCHEON D	1	
E14		ANE803X8Y0BP	START BUTTON	1	
E15		A80343G00EU	ESCUTCHEON BASE	1	
E16		ANE80378Y0BP	COOK BUTTON SPRING	1	
E17		A81263G00EU	SMOKE PANEL	1	
E18		ANE0921000BA	CUSHION RUBBER C	2	
E19		ANE82878Y0BP	SPACER A	1	
E20		A83373G00EU	ESCUTCHEON SHEET	1	
E21		A03543320GP	LEAD WIRE	1	
E22		A03553G00EU	LEAD WIRE	1	